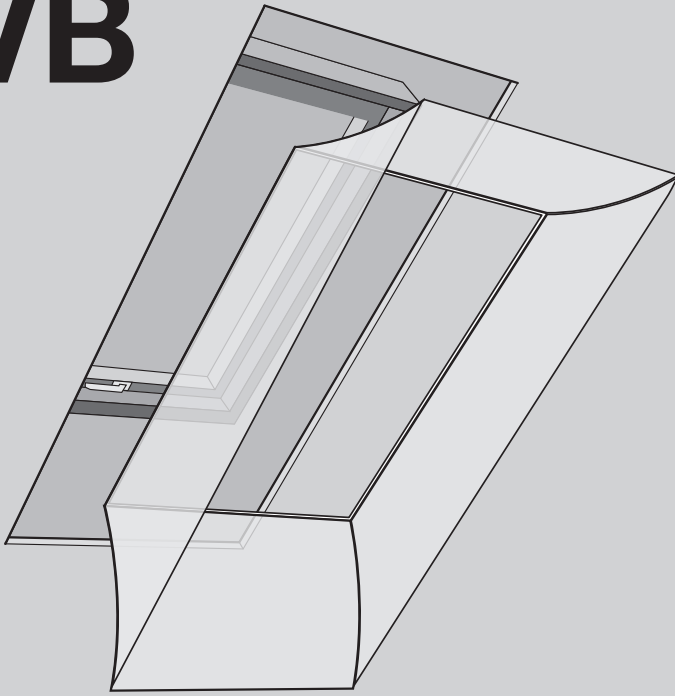
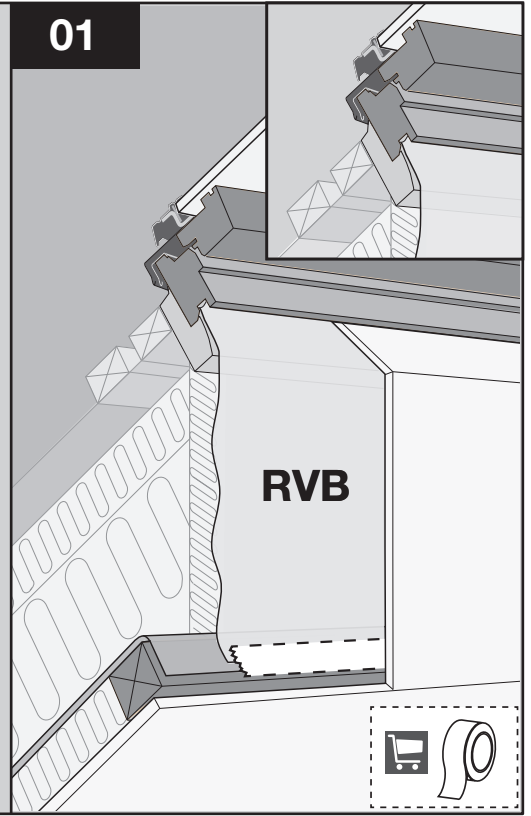


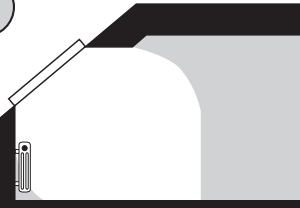
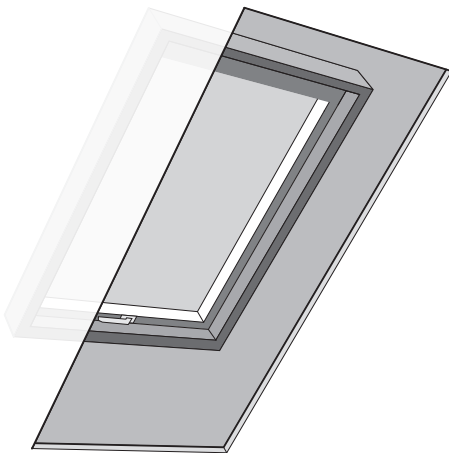
RVB



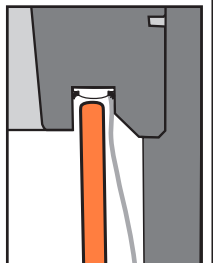
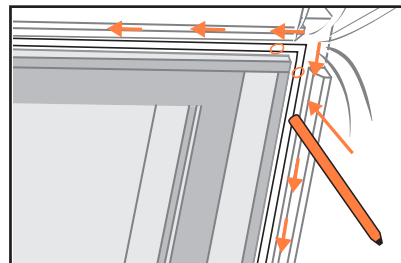
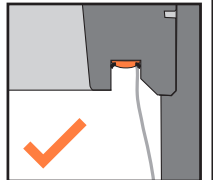
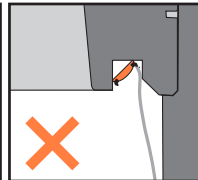
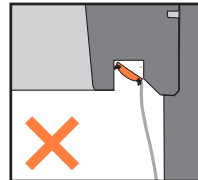
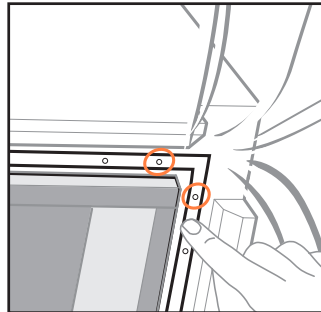
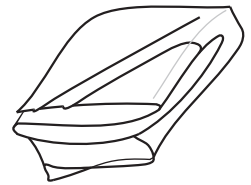
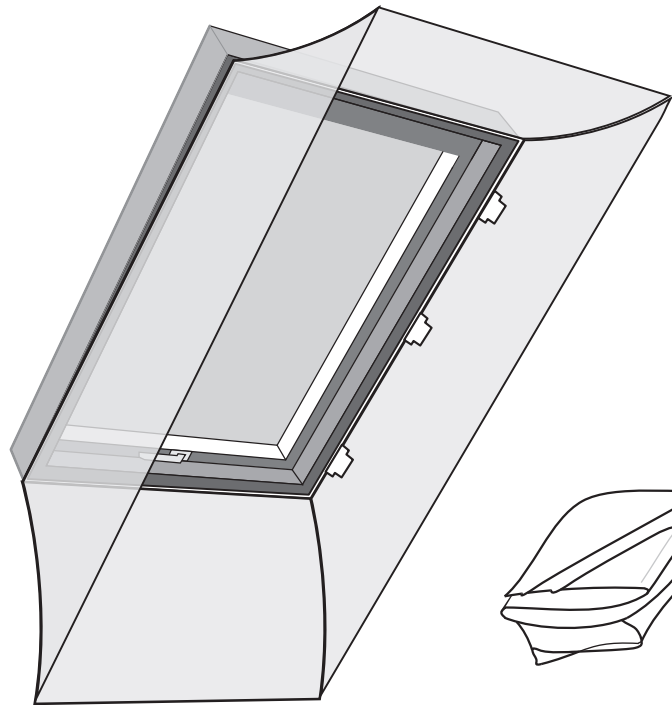
01



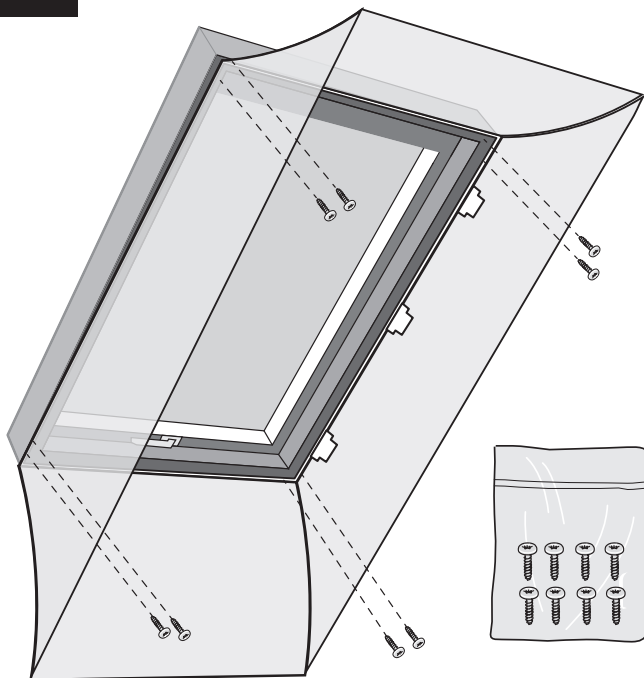
02



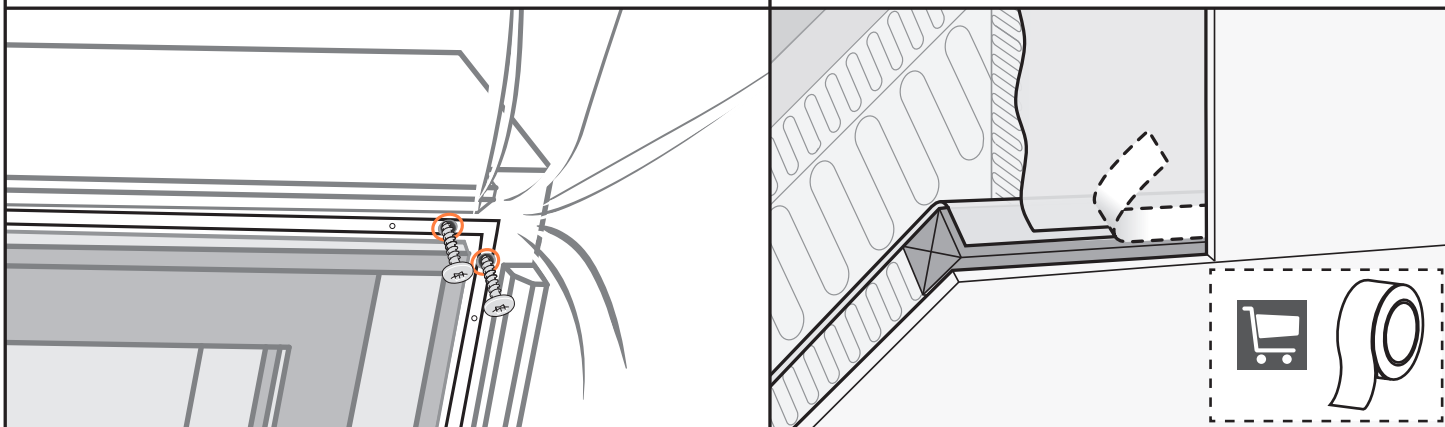
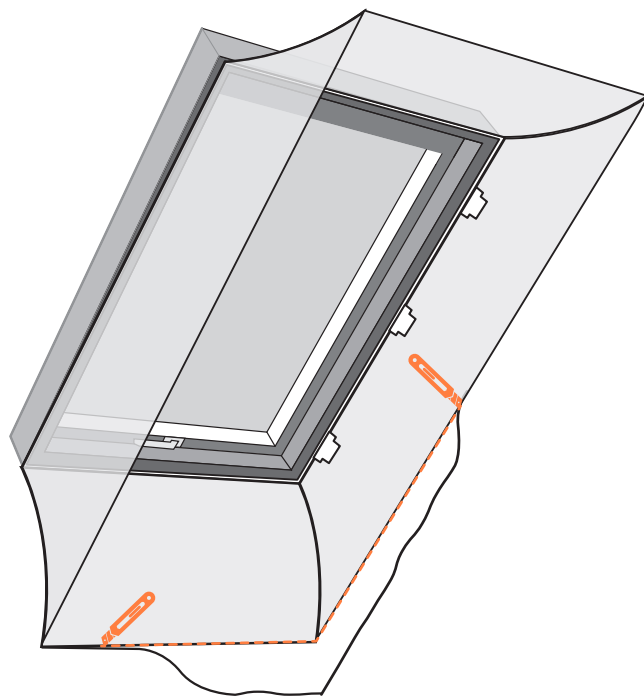
03



04



05



CE 19

EN 13984:2013

Notified body: 0402, 0845

RVB

Flexible sheet for waterproofing

Reaction to fire:	Class E
Tensile properties:	NPD
Tear resistance:	NPD
Joint strength:	NPD
Impact resistance:	NPD
Water vapour resistance:	Sd= 80 m
Watertightness:	Pass
Durability:	NPD

ALTATERRA KFT.
MALOM KÖZ 1.
HU-9431
WWW.DAKSTRA.COM